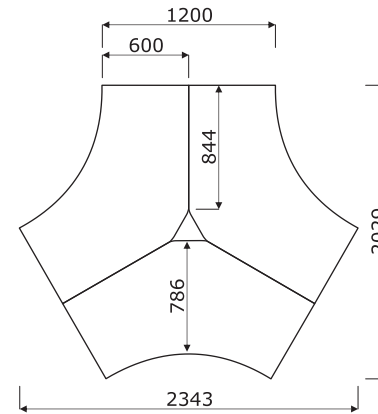
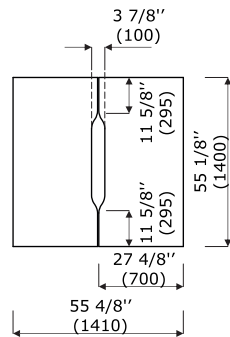
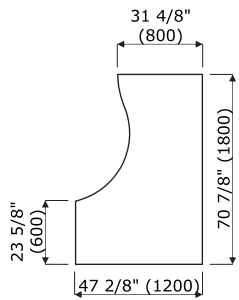
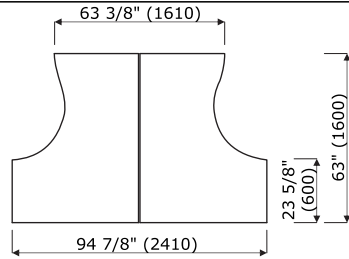
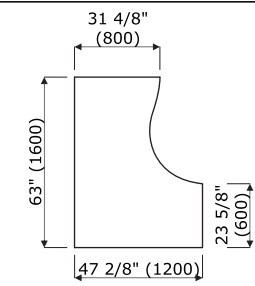
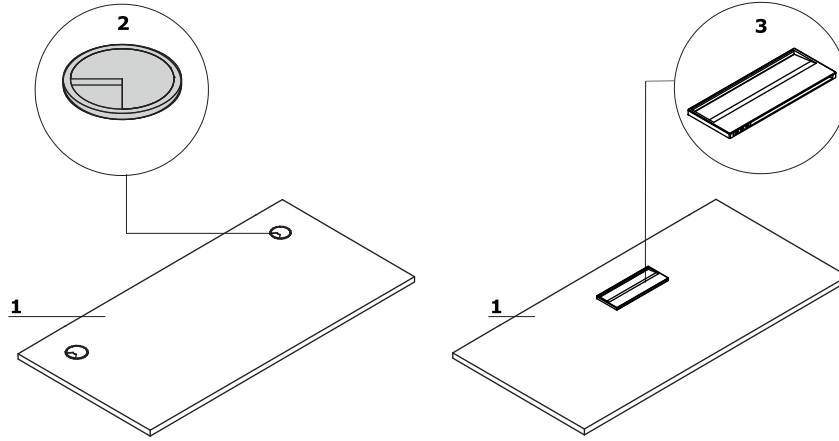


Worktop

1 Worktop - MFC 1 1/8" (28 mm), ABS edge
1/8" (2 mm)

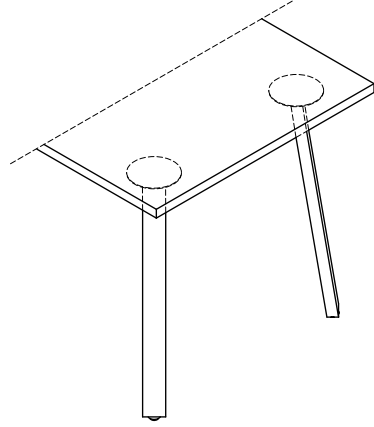
OPTIONS WITH EXTRA CHARGE:

2 Grommet - 2 pcs, Ø3 1/8" (Ø80 mm)
3 Top access M15 - 3 x USB C



Frame

Ogi A - powder coated steel, profile 2
3/8" x 1 1/8" (60 x 30 mm)

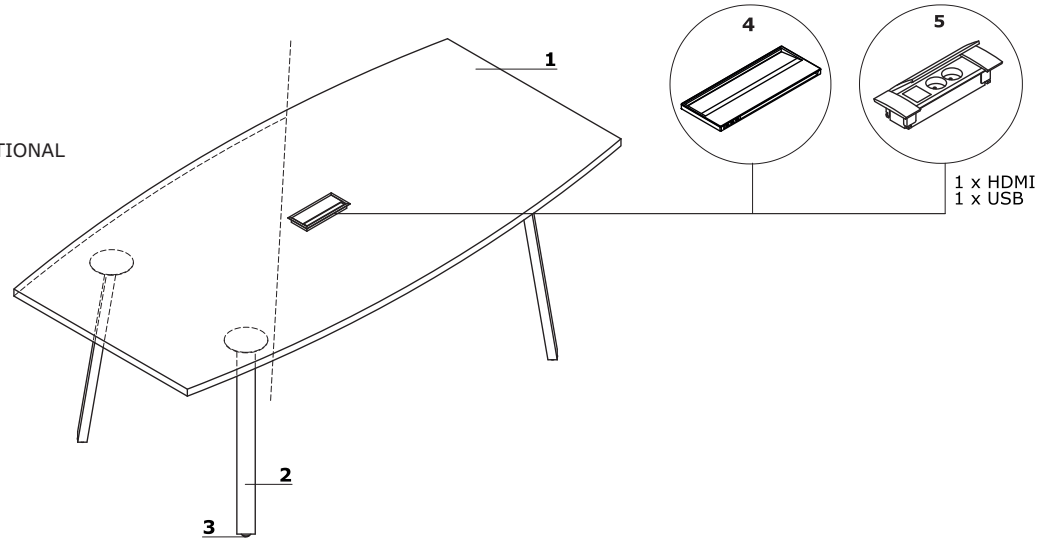


Meeting tables

- 1 **Worktop** - MFC 1 1/8" (28 mm), ABS edge 1/8" (2 mm)
- 2 **Leg** - powder coated steel, profile 2 3/8" x 1 1/8" (60 x 30 mm)
- 3 **Leveling** - 2/8" (5 mm) range

OPTIONS WITH EXTRA CHARGE:

- 4 **Top access M15** - 3 x USB C
- 5 **Mediabox M06H** - OPTION WITH ADDITIONAL CHARGE - 2x120V+HDMI+USB, colour: anodised aluminium, white, black



Chairs arrangement

